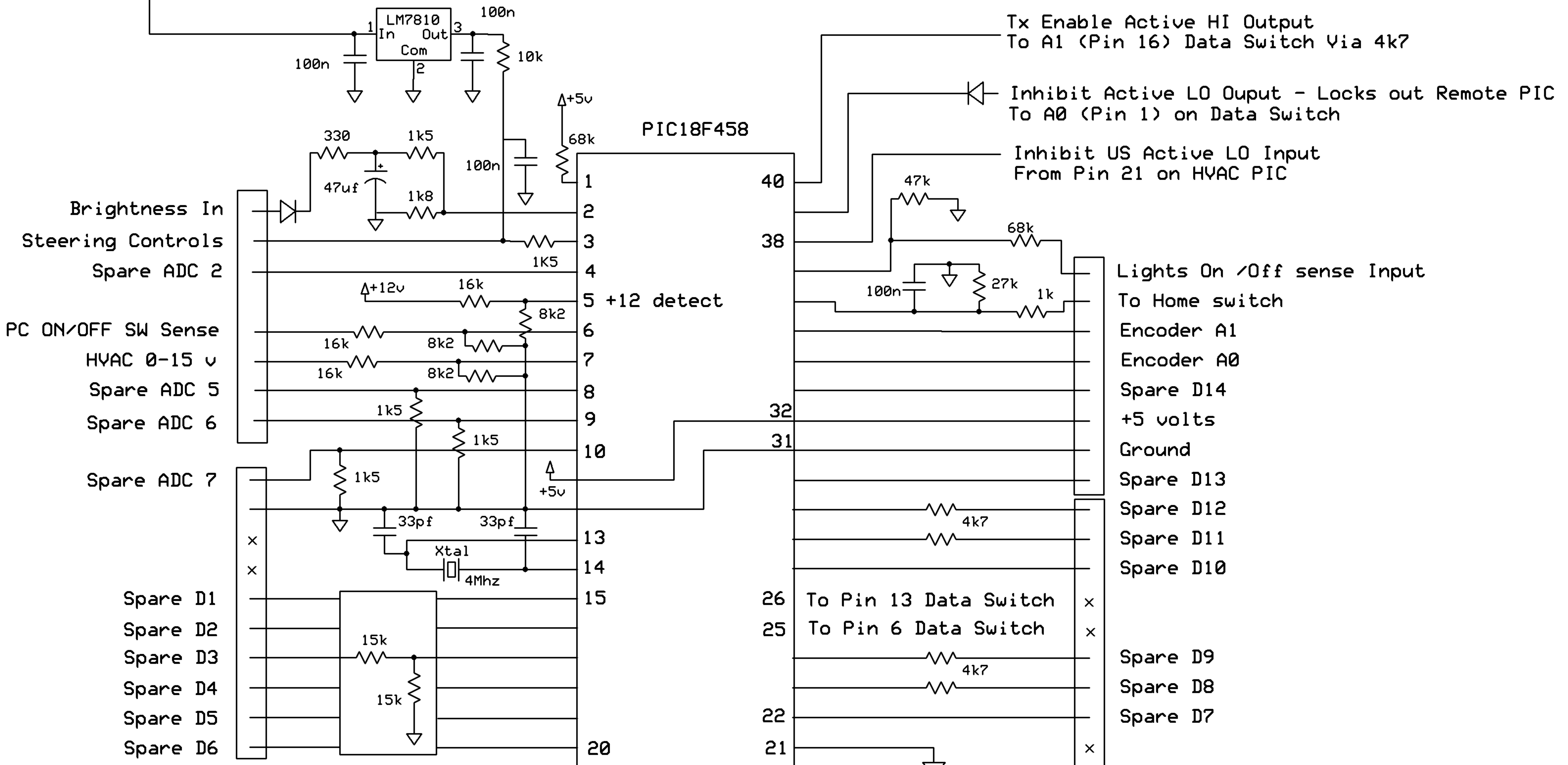
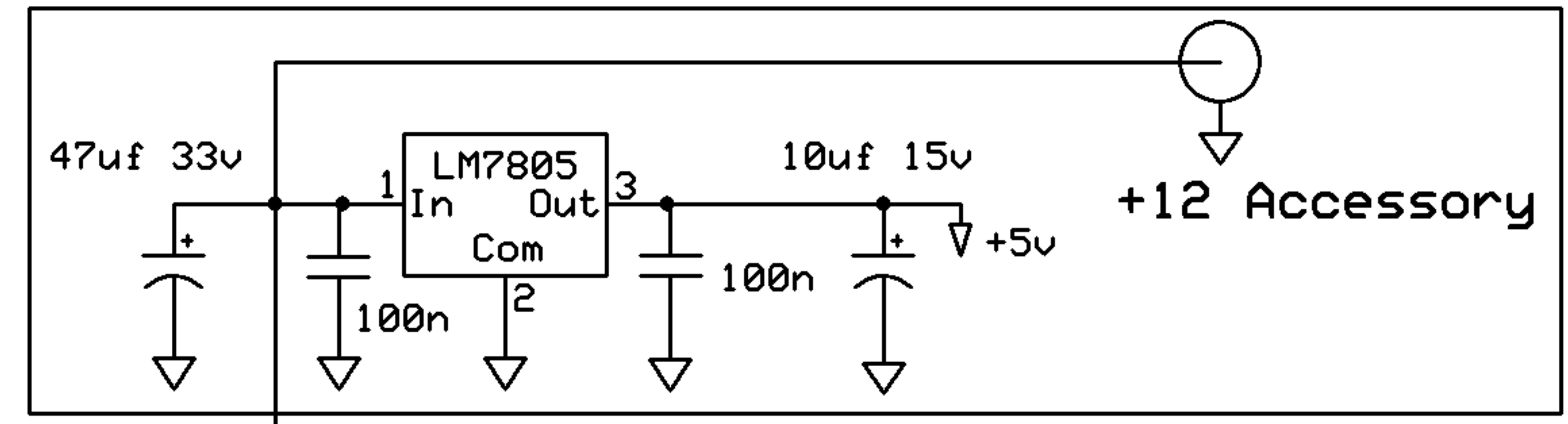


+ 5 Regulator shared with HVAC if mounted in same case



100n 100n across pins 11-12 and pins 31-32

All resistors 1/8 or 1/4 watt

- Tx Enable Active HI Output To A1 (Pin 16) Data Switch Via 4k7
- Inhibit Active LO Output - Locks out Remote PIC To A0 (Pin 1) on Data Switch
- Inhibit US Active LO Input From Pin 21 on HVAC PIC
- Lights On /Off sense Input To Home switch
- Encoder A1
- Encoder A0
- Spare D14
- +5 volts
- Ground
- Spare D13
- Spare D12
- Spare D11
- Spare D10
- Spare D9
- Spare D8
- Spare D7
- Ground

Car Controls Interface