

HVAC LCD Display Board - Surface Mount multi layer PCB
with Custom microprocessor PCB mounted above

HVAC temperature and state

2 Line LCD

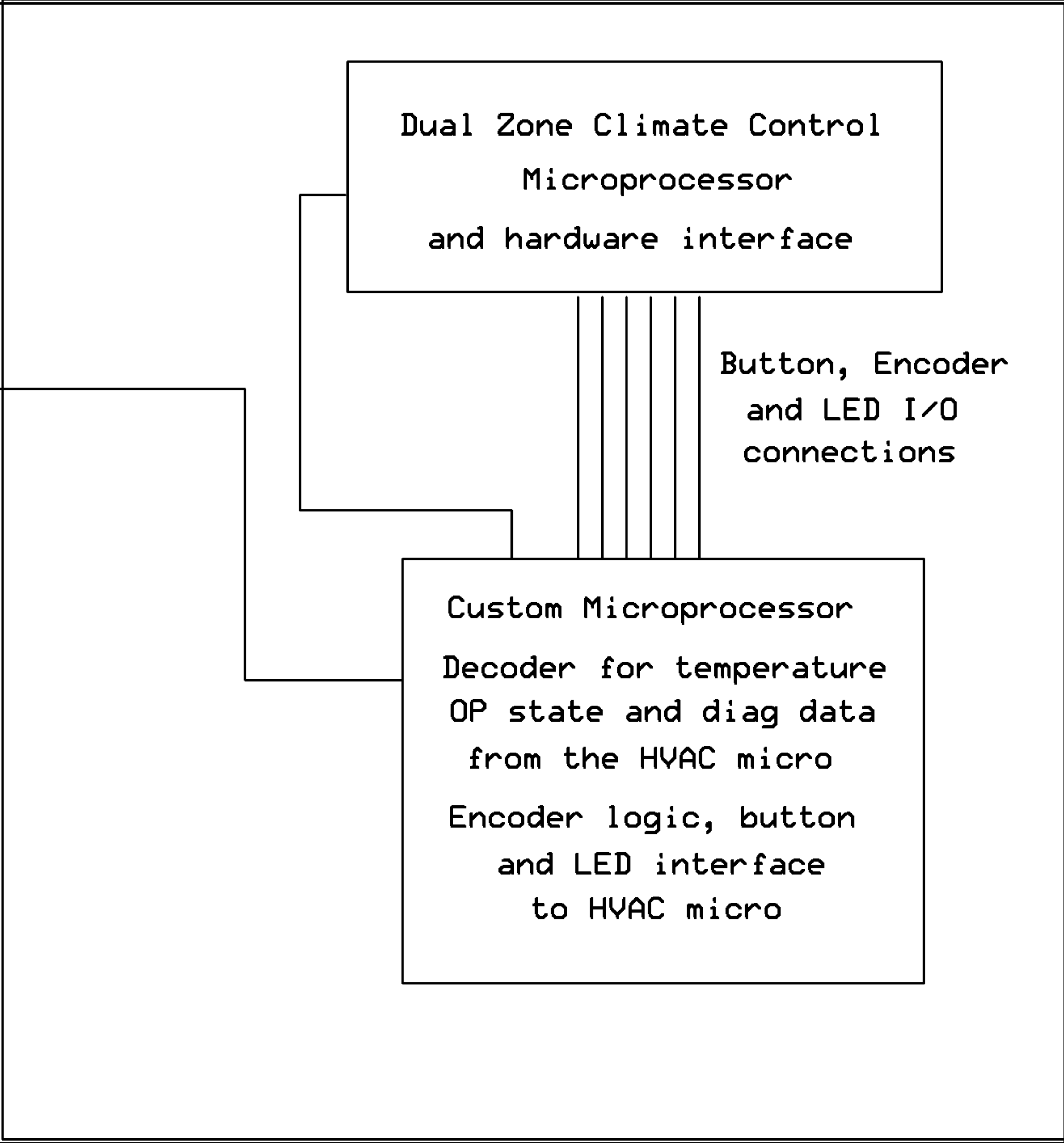
Custom Microprocessor
MANUAL
Climate Control
Button - LED and Encoder
Interface

RS232
link

P1

P2

P1 and P2
Climate Control
hardware
interface plugs



Honda Accord G7		
HVAC - Basic Modified		
Mike	Rev 1.0	Page 1
	11/03/2011	